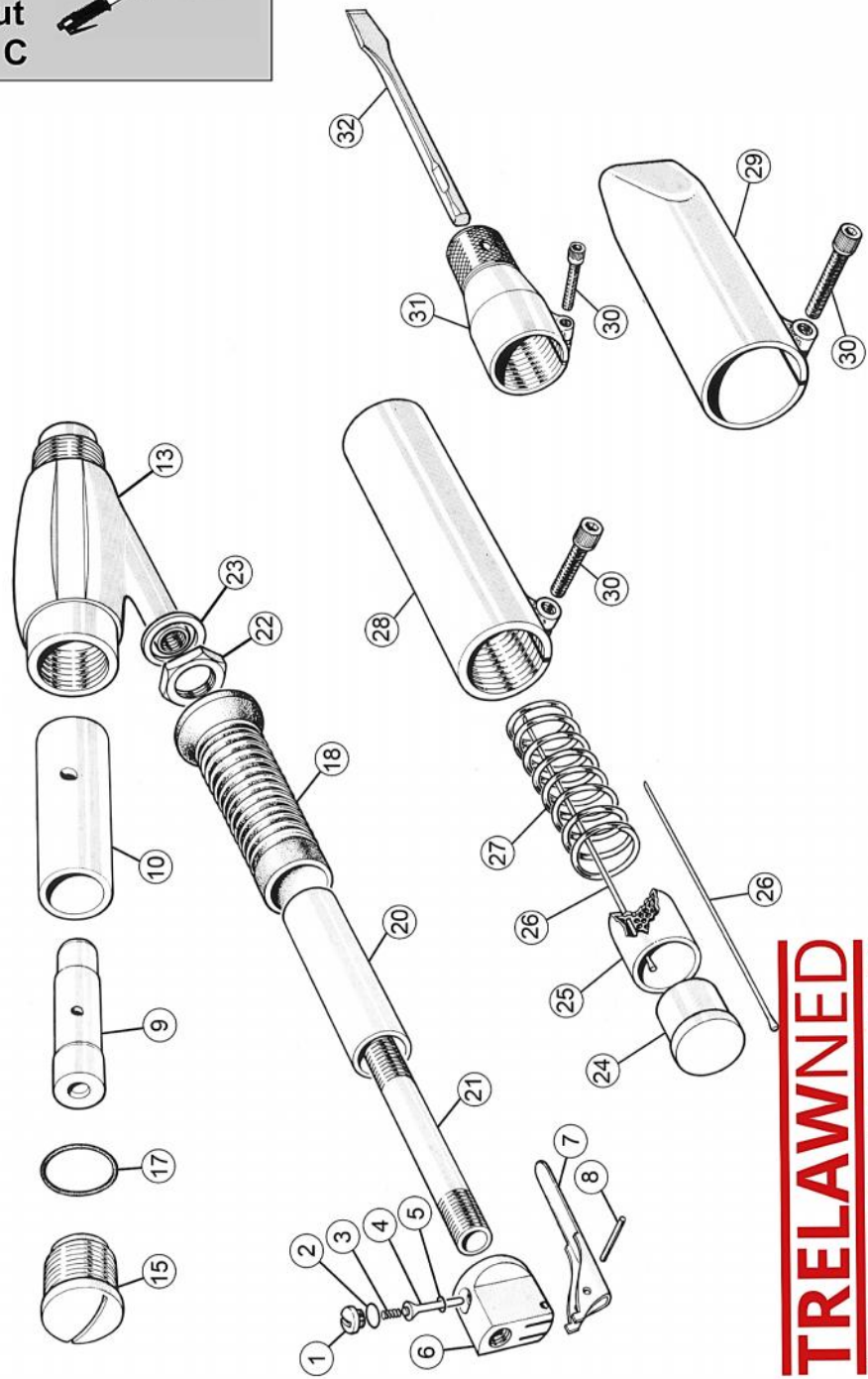


# EXPLODED VIEW

Service Layout Style C



3B & 4B BACK HANDLE NEEDLE & CHISEL SCALER

Service Layout Style C

**TRELAWNED**  
TOOLS AND MACHINERY

# 3B & 4B PARTS LIST

Item	Part No	Description	Item	Part No	Description	
<b>Common Components</b>			<b>3B Unique Components</b>			
1	615.3021	Valve Cap	9	612.3001	Piston	
2	809.0139	O' Ring – Valve Cap	10	613.3001	Cylinder	
3	712.3022	Valve Spring	13	611.3002	Body	
4	618.3022	Valve Stem	15	615.3001	End Cap	
5	809.0089	O' Ring – Valve Seat	17	809.0269	O'Ring	
6	616.3021	Valve Body	24	610.3001	Anvil	
	423.3021	Valve Body (items 1-8) 1/4" BSP Thread	25	601.3002	Needle Holder 2mm	
	423.3521	Valve Body (items 1-8) 1/4" NPT Thread		601.3003	Needle Holder 3mm	
7	716.3000	Throttle Lever		601.3004	Needle Holder 4mm	
8	813.0108	Roll Pin	26	412.1165	6 x Needle Sets 2mm (Flat Tip)	
18	717.3011	Rubber Handle Grip		413.2128	6 x Needle Sets 3mm (Chisel Tip)	
20	624.3001	Handle Tube		413.1128	6 x Needle Sets 3mm (Flat Tip)	
21	623.3001	Centre Tube		413.3128	6 x Needle Sets 3mm (Pointed Tip)	
22	625.3001	Locknut		414.1119	6 x Needle Sets 4mm (Flat Tip)	
23	810.9000	Sealing Washer		414.3119	6 x Needle Sets 4mm (Pointed Tip)	
26	442.1107	Pack of 2000 2mm Needles (Flat Tip)		403.1328	1 x Needle Set 3mm (Beryllium Copper - Flat Tip)	
	452.1110	Pack of 100 2mm Needles (Flat Tip)	27	712.3001	Spring - Compression	
	443.2107	Pack of 1000 3mm Needles (Chisel Tip)	28	416.3032	Intermediate Tube (Includes item 30)	
	443.1107	Pack of 1000 3mm Needles (Flat Tip)	29	417.3032	Straight Front Tube (Includes item 30)	
	443.3107	Pack of 1000 3mm Needles (Pointed Tip)		418.3032	Round Front Tube (Includes item 30)	
	443.1307	Pack of 500 3mm Needles (Beryllium Copper)	30	806.0830	Cap Head Screw	
	453.2110	Pack of 100 3mm Needles (Chisel Tip)	31	419.3241	Chisel Holder 1/2" Square	
	453.1110	Pack of 100 3mm Needles (Flat Tip)		446.1030	Service Kit (Inc. 9,17,24,25,27 & 1 Set Needles)	
	453.3110	Pack of 100 3mm Needles (Pointed Tip)	<b>4B Unique Components</b>			
	453.1310	Pack of 100 3mm Needles (Beryllium Copper)	9	612.4001	Piston	
	444.1107	Pack of 500 4mm Needles (Flat Tip)	10	613.4001	Cylinder	
	444.3107	Pack of 500 4mm Needles (Pointed Tip)	13	411.4002	Body	
	454.1105	Pack of 50 4mm Needles (Flat Tip)	15	615.4001	End Cap	
	454.3105	Pack of 50 4mm Needles (Pointed Tip)	17	809.0299	O'Ring	
32	704.1101	Chisel 1/2" Square 7" Long x 3/4" Blade	24	610.4001	Anvil	
	704.1103	Chisel 1/2" Square 7" Long x 2 3/4" Blade	25	601.4003	Needle Holder 3mm	
	704.1106	Chisel 1/2" Square Brick Rake		601.4004	Needle Holder 4mm	
	704.1110	Chisel 1/2" Square 7" Long Spark Resistant 2" Blade	26	413.2149	6 x Needle Sets 3mm (Chisel Tip)	
	704.2105	Chisel 1/2" Square 7" Long Cranked x 1 3/8" Blade		413.3149	6 x Needle Sets 3mm (Pointed Tip)	
				414.1135	6 x Needle Sets 4mm (Flat Tip)	
				414.3135	6 x Needle Sets 4mm (Pointed Tip)	
<b>Extras</b>				403.1349	1 x Needle Set 3mm (Beryllium Copper - Flat Tip)	
	719.1000	3/8" Bore Hose 10 Metre	27	712.4031	Spring - Compression	
	719.3000	3/8" Bore Hose 30 Metre	28	416.4032	Intermediate Tube (Includes item 30)	
	805.0601	6mm Allen Key for Caphead Screws	29	417.4032	Straight Front Tube (Includes item 30)	
	819.2375	Adapter 1/4" BSP to 3/8" Hose Stem		418.4032	Round Front Tube (Includes item 30)	
				30	806.0835	Cap Head Screw
				31	419.4241	Chisel Holder 1/2" Square
				446.1040	Service Kit (Inc. 9,17,24,25,27 & 1 Set Needles)	